

# WIDEST TEMPERATURE LOW POWER PROGRAMMABLE OSCILLATOR

SERIES „WTLPOP“

-55/+125°C

1.0—110.0

## FEATURES

- + 100% pin-to-pin drop-in replacement to quartz and MEMS based XO
- + Highest Temperature Low Power Oscillator for Low Cost
- + Excellent long time reliability-outperforms quartz-based XO
- + Operating temperature from -55°C to 125°C
- + Supply voltage of 1.8V, 2.5V or 3.3V
- + Excellent total frequency stability as low as ±20 ppm
- + LVCMOS/LVTTL compatible output
- + Express samples within 1 day ex works PETERMANN-TECHNIK
- + Pb-free, RoHS and REACH compliant / MSL1@260°C

## APPLICATIONS

- + Ruggedized equipment in harsh operating environment
- + Applications in extreme temperature conditions

## GENERAL DATA<sup>[1,2]</sup>

| PARAMETER AND CONDITIONS                      | SYMBOL           | MIN. | TYP. | MAX. | UNIT | CONDITION   |
|---|------------------|------|------|------|------|---|
| <b>FREQUENCY RANGE</b>                        |                  |      |      |      |      |   |
| Output Frequency Range                        | f                | 1    | -    | 110  | MHz  |   |
| <b>FREQUENCY STABILITY AND AGING</b>          |                  |      |      |      |      |   |
| Frequency Stability                           | F_stab           | -20  | -    | +20  | PPM  | Inclusive of initial tolerance at 25°C, 1st year aging at 25°C, and variations over operating temperature, rated power supply voltage and load (15 pF ± 10%). |
|   |                  | -25  | -    | +25  | PPM  |   |
|   |                  | -30  | -    | +30  | PPM  |   |
|   |                  | -50  | -    | +50  | PPM  |   |
| <b>OPERATING TEMPERATURE RANGE</b>            |                  |      |      |      |      |   |
| Operating Temperature Range                   | T_use            | -55  | -    | +125 | °C   | Widest temperature  |
| Storage Temperature Range                     | T_stor           | -55  | -    | +125 | °C   | Storage   |
| <b>SUPPLY VOLTAGE AND CURRENT CONSUMPTION</b> |                  |      |      |      |      |   |
| Supply Voltage                                | V <sub>DD</sub>  | 1.62 | 1.8  | 1.98 | V    |   |
|   |                  | 2.25 | 2.5  | 2.75 | V    |   |
|   |                  | 2.52 | 2.8  | 3.08 | V    |   |
|   |                  | 2.7  | 3.0  | 3.3  | V    |   |
|   |                  | 2.97 | 3.3  | 3.63 | V    |   |
|   |                  | 2.25 | -    | 3.63 | V    |   |
| Current Consumption                           | I <sub>DD</sub>  | -    | 3.8  | 4.5  | mA   | No load condition, f = 20 MHz, V <sub>DD</sub> = 2.8V, 3.0V, or 3.3V  |
|   |                  | -    | 3.6  | 4.2  | mA   | No load condition, f = 20 MHz, V <sub>DD</sub> = 2.5V   |
|   |                  | -    | 3.4  | 4    | mA   | No load condition, f = 20 MHz, V <sub>DD</sub> = 1.8V   |
| OE Disable Current                            | I <sub>OD</sub>  | -    | -    | 4.1  | mA   | V <sub>DD</sub> = 2.5V to 3.3V, OE = Low, output in high Z state  |
|   |                  | -    | -    | 3.8  | mA   | V <sub>DD</sub> = 1.8V, OE = Low, output in high Z state  |
| Standby Current                               | I <sub>std</sub> | -    | 2.6  | 8.5  | µA   | V <sub>DD</sub> = 2.8V to 3.3V, ST = Low, output is pulled down   |
|   |                  | -    | 1.4  | 5.5  | µA   | V <sub>DD</sub> = 2.5V, ST = Low, output is pulled down   |
|   |                  | -    | 0.6  | 3.5  | µA   | V <sub>DD</sub> = 1.8V, ST = Low, output is pulled down   |

Note: 1. All electrical specifications in the above table are specified with 15 pF output load at default drive strength and for all VDD(s) unless otherwise stated.  
2. The typical value of any parameter in the Electrical Characteristic table is specified for the nominal value of the highest voltage option for that parameter and at 25 °C temperature.

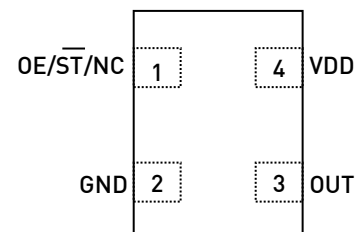
## GENERAL DATA<sup>[1]</sup> (continued)

| PARAMETER AND CONDITIONS             | SYMBOL              | MIN. | TYP. | MAX. | UNIT            | CONDITION   |
|--------------------------------------|---------------------|------|------|------|-----------------|---|
| <b>LVCMOS OUTPUT CHARACTERISTICS</b> |                     |      |      |      |                 |   |
| Duty Cycle                           | DC                  | 45   | -    | 55   | %               | All V <sub>DDs</sub>  |
| Rise/Fall Time                       | Tr, Tf              | -    | 1.0  | 2.0  | ns              | V <sub>DD</sub> = 2.5V, 2.8V, 3.0V or 3.3V, 20% - 80%   |
|                                      |                     | -    | 1.3  | 2.5  | ns              | V <sub>DD</sub> = 1.8V, 20% - 80%   |
|                                      |                     | -    | 1.0  | 3.0  | ns              | V <sub>DD</sub> = 2.25V - 3.63V, 20% - 80%  |
| Output High Voltage                  | VOH                 | 90%  | -    | -    | V <sub>DD</sub> | IOH = -4 mA (V <sub>DD</sub> = 3.0V or 3.3V)<br>IOH = -3 mA (V <sub>DD</sub> = 2.8V and V <sub>DD</sub> = 2.5V)<br>IOH = -2 mA (V <sub>DD</sub> = 1.8V) |
| Output Low Voltage                   | VOL                 | -    | -    | 10%  | V <sub>DD</sub> | IOL = 4 mA (V <sub>DD</sub> = 3.0V or 3.3V)<br>IOL = 3 mA (V <sub>DD</sub> = 2.8V and V <sub>DD</sub> = 2.5V)<br>IOL = 2 mA (V <sub>DD</sub> = 1.8V)    |
| <b>INPUT CHARACTERISTICS</b>         |                     |      |      |      |                 |   |
| Input High Voltage                   | VIH                 | 70%  | -    | -    | V <sub>DD</sub> | Pin 1, OE or ST   |
| Input Low Voltage                    | VIL                 | -    | -    | 30%  | V <sub>DD</sub> | Pin 1, OE or ST   |
| Input Pull-up Impedance              | Z <sub>in</sub>     | 50   | 87   | 150  | kΩ              | Pin 1, OE logic high or logic low, or ST logic high   |
|                                      |                     | 2    | -    | -    | MΩ              | Pin 1, ST logic low   |
| <b>STARTUP AND RESUME TIMING</b>     |                     |      |      |      |                 |   |
| Startup Time                         | T <sub>start</sub>  | -    | -    | 5    | ms              | Measured from the time V <sub>DD</sub> reaches 90% of final value   |
| Enable/Disable Time                  | T <sub>oe</sub>     | -    | -    | 130  | ns              | f = 110 MHz. For other frequencies, T <sub>oe</sub> = 100 ns + 3* clock periods   |
| Resume Time                          | T <sub>resume</sub> | -    | -    | 5    | ms              | Measured from the time ST pin crosses 50% threshold   |
| <b>JITTER</b>                        |                     |      |      |      |                 |   |
| RMS Period Jitter                    | T <sub>jitt</sub>   | -    | 1.6  | 2.5  | ps              | f = 75 MHz, V <sub>DD</sub> = 2.5V, 2.8V, 3.0V or 3.3V  |
|                                      |                     | -    | 1.9  | 3    | ps              | f = 75 MHz, V <sub>DD</sub> = 1.8V  |
| Peak-to-peak Period Jitter           | T <sub>pk</sub>     | -    | 12   | 20   | ps              | f = 75 MHz, V <sub>DD</sub> = 2.5V, 2.8V, 3.0V or 3.3V  |
|                                      |                     | -    | 14   | 30   | ps              | f = 75 MHz, V <sub>DD</sub> = 1.8V  |
| RMS Phase Jitter (random)            | T <sub>phj</sub>    | -    | 0.5  | 0.8  | ps              | f = 75 MHz, Integration bandwidth = 900 kHz to 7.5 MHz  |
|                                      |                     | -    | 1.3  | 2    | ps              | f = 75 MHz, Integration bandwidth = 12 kHz to 20 MHz  |
| <b>EXCELLENT RELIABILITY DATA</b>    |                     |      |      |      |                 |   |
| MTBF                                 |                     |      |      |      |                 | 500 million hours   |
| Shock Resistance:                    |                     |      |      |      |                 | 10.000 G  |
| Vibration Resistance:                |                     |      |      |      |                 | 70 g  |

## PIN DESCRIPTION

| PIN | SYMBOL          | FUNCTIONALITY   |
|-----|-----------------|---|
| 1   | OE/ST/NC        | Output Enable<br>H <sup>[3]</sup> : specified frequency output<br>L: output is high impedance. Only output driver is disabled.  |
|     |                 | Standby<br>H <sup>[3]</sup> : specified frequency output<br>L: output is low (weak pull down). Device goes to sleep mode.<br>Supply current reduces to I <sub>std</sub> . |
|     |                 | No connect<br>Any voltage between 0 and V <sub>DD</sub> or Open <sup>[3]</sup> : Specified frequency output. Pin 1 has no function.                                       |
| 2   | GND             | Power<br>Electrical ground <sup>[4]</sup>   |
| 3   | OUT             | Output<br>Oscillator output   |
| 4   | V <sub>DD</sub> | Power<br>Power supply voltage <sup>[4]</sup>  |

## TOP VIEW



Note: 3. In OE or ST mode, a pull-up resistor of 10kΩ or less is recommended if pin 1 is not externally driven. If pin 1 needs to be left floating, use the NC option.

4. A capacitor value of 0.1 μF between V<sub>DD</sub> and GND is required.

## TEST CIRCUIT AND WAVEFORM

FIGURE 1. TEST CIRCUIT

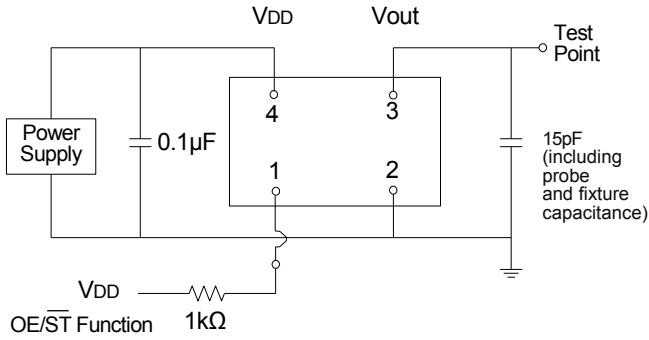
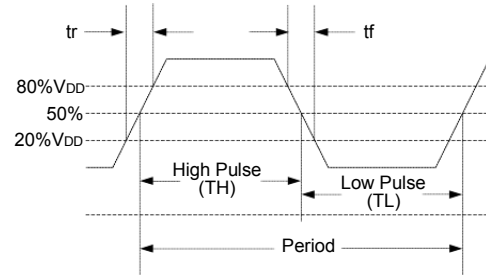


FIGURE 2. WAVEFORM



## TIMING DIAGRAMS

FIGURE 3. STARTUP TIMING (OE/ST MODE)

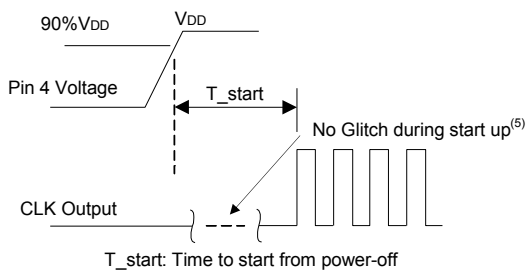


FIGURE 4. STANDBY RESUME TIMING (ST MODE ONLY)

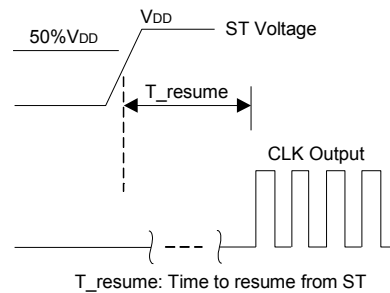


FIGURE 5. OE ENABLE TIMING (OE MODE ONLY)

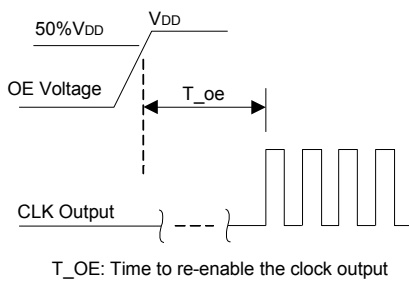
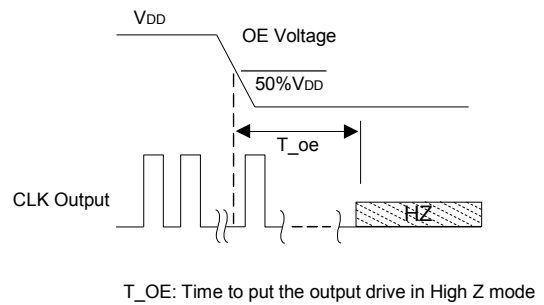


FIGURE 6. OE DISABLE TIMING (OE MODE ONLY)



Note: 5. WTLPOP has "no runt" pulses and "no glitch" output during startup or resume.

## PROGRAMMABLE DRIVE STRENGTH

The WTLPOP includes a programmable drive strength feature named SoftLevel to provide a simple, flexible tool to optimize the clock rise/fall time for specific applications. Benefits from the programmable drive strength feature are:

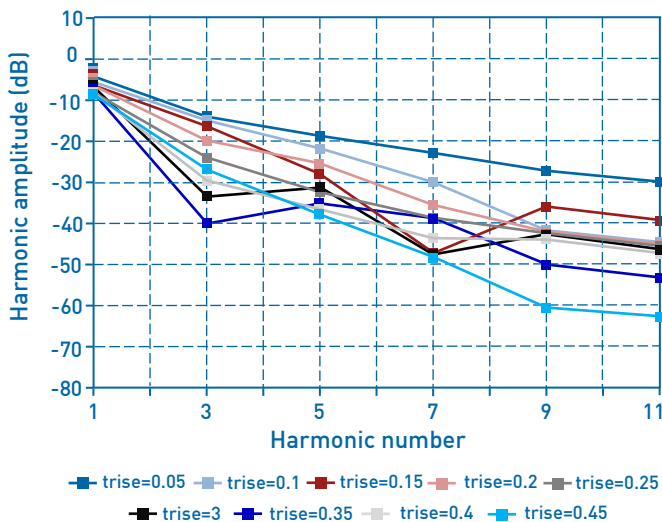
- + Improves system radiated electromagnetic interference (EMI) by slowing down the clock rise/fall time
- + Improves the downstream clock receiver's (RX) jitter by decreasing (speeding up) the clock rise/fall time.
- + Ability to drive large capacitive loads while maintaining full swing with sharp edge rates.

For more detailed information about rise/fall time control and drive strength selection, please contact the application engineers of Petermann-Technik.

### EMI REDUCTION BY SLOWING RISE/FALL TIME (SoftLevel FUNCTION)

Figure 7 shows the harmonic power reduction as the rise/fall times are increased (slowed down). The rise/fall times are expressed as a ratio of the clock period. For the ratio of 0.05, the signal is very close to a square wave. For the ratio of 0.45, the rise/fall times are very close to near-triangular waveform. These results, for example, show that the 11th clock harmonic can be reduced by 35 dB if the rise/fall edge is increased from 5% of the period to 45% of the period.

FIGURE 7. HARMONIC EMI REDUCTION AS A FUNCTION OF SLOWER RISE/FALL TIME (SoftLevel FUNCTION)



### JITTER REDUCTION WITH FASTER RISE/FALL TIME

Power supply noise can be a source of jitter for the downstream chipset. One way to reduce this jitter is to increase rise/fall time (edge rate) of the input clock. Some chipsets would require faster rise/fall time in order to reduce their sensitivity to this type of jitter. The WTLPOP provides up to 3 additional high drive strength settings for very fast rise/fall time. Refer to the Rise/Fall Time Tables to determine the proper drive strength.

### HIGH OUTPUT LOAD CAPABILITY

The rise/fall time of the input clock varies as a function of the actual capacitive load the clock drives. At any given drive strength, the rise/fall time becomes slower as the output load increases. As an example, for a 3.3V WTLPOP device with default drive strength setting, the typical rise/fall time is 1 ns for 15 pF output load. The typical rise/fall time slows down to 2.6 ns when the output load increases to 45 pF. One can choose to speed up the rise/fall time to 1.83ns by then increasing the drive strength setting on the WTLPOP.

The WTLPOP can support up to 60 pF or higher in maximum capacitive loads with drive strength settings. Refer to the Rise/Fall Time Tables (Table 1 to 5) to determine the proper drive strength for the desired combination of output load vs. rise/fall time.

### WTLPOP DRIVE STRENGTH SELECTION

Tables 1 through 5 define the rise/fall time for a given capacitive load and supply voltage.

1. Select the table that matches the WTLPOP nominal supply voltage (1.8V, 2.5V, 2.8V, 3.0V, 3.3V).
2. Select the capacitive load column that matches the application requirement (5 pF to 60 pF)
3. Under the capacitive load column, select the desired rise/fall times.
4. The left-most column represents the part number code for the corresponding drive strength.
5. Add the drive strength code to the part number for ordering purposes.

### CALCULATING MAXIMUM FREQUENCY

Based on the rise and fall time data given in Tables 1 through 5, the maximum frequency the oscillator can operate with guaranteed full swing of the output voltage over temperature as follows:

$$\text{Max. frequency} = \frac{1}{5 \times \text{Trf}_{20/80}}$$

where Trf<sub>20/80</sub> is the typical value for 20%-80% rise/fall time.

### EXAMPLE 1

Calculate f<sub>MAX</sub> for the following condition:

- + VDD = 1.8V (Table 1)
- + Capacitive Load: 30pF
- + Desired Tr/f time = 3 ns (rise/fall time part number code=E)

Part number for the above example:

WTLPOP18-2520-E-25-WT-75.000MHz-T-S

Drive strength code is inserted here. Standard setting is "S"

## RISE/FALL TIME (20% TO 80%) vs C<sub>LOAD</sub>

TABLE 1. VDD = 1.8V RISE/FALL TIMES FOR SPECIFIC C<sub>LOAD</sub>

| Drive Strength \ C <sub>LOAD</sub> | RISE/FALL TIME TYP (NS) |       |       |       |       |
|------------------------------------|-------------------------|-------|-------|-------|-------|
|                                    | 5 pF                    | 15 pF | 30 pF | 45 pF | 60 pF |
| L                                  | 6.16                    | 11.61 | 22.00 | 31.27 | 39.91 |
| A                                  | 3.19                    | 6.35  | 11.00 | 16.01 | 21.52 |
| R                                  | 2.11                    | 4.31  | 7.65  | 10.77 | 14.47 |
| B                                  | 1.65                    | 3.23  | 5.79  | 8.18  | 11.08 |
| T                                  | 0.93                    | 1.91  | 3.32  | 4.66  | 6.48  |
| E                                  | 0.78                    | 1.66  | 2.94  | 4.09  | 5.74  |
| U                                  | 0.70                    | 1.48  | 2.64  | 3.68  | 5.09  |
| S for standard                     | 0.65                    | 1.30  | 2.40  | 3.35  | 4.56  |

TABLE 2. VDD = 2.5V RISE/FALL TIMES FOR SPECIFIC C<sub>LOAD</sub>

| Drive Strength \ C <sub>LOAD</sub> | RISE/FALL TIME TYP (NS) |       |       |       |       |
|------------------------------------|-------------------------|-------|-------|-------|-------|
|                                    | 5 pF                    | 15 pF | 30 pF | 45 pF | 60 pF |
| L                                  | 4.13                    | 8.25  | 12.82 | 21.45 | 27.79 |
| A                                  | 2.11                    | 4.27  | 7.64  | 11.20 | 14.49 |
| R                                  | 1.45                    | 2.81  | 5.16  | 7.65  | 9.88  |
| B                                  | 1.09                    | 2.20  | 3.88  | 5.86  | 7.57  |
| T                                  | 0.62                    | 1.28  | 2.27  | 3.51  | 4.45  |
| S for standard                     | 0.54                    | 1.00  | 2.01  | 3.10  | 4.01  |
| U                                  | 0.43                    | 0.96  | 1.81  | 2.79  | 3.65  |
| F                                  | 0.34                    | 0.88  | 1.64  | 2.54  | 3.32  |

TABLE 3. VDD = 2.8V RISE/FALL TIMES FOR SPECIFIC C<sub>LOAD</sub>

| Drive Strength \ C <sub>LOAD</sub> | RISE/FALL TIME TYP (NS) |       |       |       |       |
|------------------------------------|-------------------------|-------|-------|-------|-------|
|                                    | 5 pF                    | 15 pF | 30 pF | 45 pF | 60 pF |
| L                                  | 3.77                    | 7.54  | 12.28 | 19.57 | 25.27 |
| A                                  | 1.94                    | 3.90  | 7.03  | 10.24 | 13.34 |
| R                                  | 1.29                    | 2.57  | 4.72  | 7.01  | 9.06  |
| B                                  | 0.97                    | 2.00  | 3.54  | 5.43  | 6.93  |
| T                                  | 0.55                    | 1.12  | 2.08  | 3.22  | 4.08  |
| S for standard                     | 0.44                    | 1.00  | 1.83  | 2.82  | 3.67  |
| U                                  | 0.34                    | 0.88  | 1.64  | 2.52  | 3.30  |
| F                                  | 0.29                    | 0.81  | 1.48  | 2.29  | 2.99  |

TABLE 4. VDD = 3.0V RISE/FALL TIMES FOR SPECIFIC C<sub>LOAD</sub>

| Drive Strength \ C <sub>LOAD</sub> | RISE/FALL TIME TYP (NS) |       |       |       |       |
|------------------------------------|-------------------------|-------|-------|-------|-------|
|                                    | 5 pF                    | 15 pF | 30 pF | 45 pF | 60 pF |
| L                                  | 3.60                    | 7.21  | 11.97 | 18.74 | 24.30 |
| A                                  | 1.84                    | 3.71  | 6.72  | 9.86  | 12.68 |
| R                                  | 1.22                    | 2.46  | 4.54  | 6.76  | 8.62  |
| B                                  | 0.89                    | 1.92  | 3.39  | 5.20  | 6.64  |
| S for standard                     | 0.51                    | 1.00  | 1.97  | 3.07  | 3.90  |
| E                                  | 0.38                    | 0.92  | 1.72  | 2.71  | 3.51  |
| U                                  | 0.30                    | 0.83  | 1.55  | 2.40  | 3.13  |
| F                                  | 0.27                    | 0.76  | 1.39  | 2.16  | 2.85  |

TABLE 5. VDD = 3.3V RISE/FALL TIMES FOR SPECIFIC C<sub>LOAD</sub>

| Drive Strength \ C <sub>LOAD</sub> | RISE/FALL TIME TYP (NS) |       |       |       |       |
|------------------------------------|-------------------------|-------|-------|-------|-------|
|                                    | 5 pF                    | 15 pF | 30 pF | 45 pF | 60 pF |
| L                                  | 3.39                    | 6.88  | 11.63 | 17.56 | 23.59 |
| A                                  | 1.74                    | 3.50  | 6.38  | 8.98  | 12.19 |
| R                                  | 1.16                    | 2.33  | 4.29  | 6.04  | 8.34  |
| B                                  | 0.81                    | 1.82  | 3.22  | 4.52  | 6.33  |
| S for standard                     | 0.46                    | 1.00  | 1.86  | 2.60  | 3.84  |
| E                                  | 0.33                    | 0.87  | 1.64  | 2.30  | 3.35  |
| U                                  | 0.28                    | 0.79  | 1.46  | 2.05  | 2.93  |
| F                                  | 0.25                    | 0.72  | 1.31  | 1.83  | 2.61  |

Note: 6. "n/a" in Table 1 to Table 5 indicates that the resulting rise/fall time from the respective combination of the drive strength and output load does not provide rail-to-rail swing and is not available.

## PROGRAMMABLE DRIVE STRENGTH

### PIN 1 CONFIGURATION OPTIONS (OE, ST, OR NC)

Pin 1 of the WTLPOP can be factory-programmed to support three modes: Output enable (OE), standby (ST) or No Connect (NC).

#### OUTPUT ENABLE (OE) MODE

In the OE mode, applying logic Low to the OE pin only disables the output driver and puts it in Hi-Z mode. The core of the device continues to operate normally. Power consumption is reduced due to the inactivity of the output. When the OE pin is pulled High, the output is typically enabled in  $<1\mu\text{s}$ .

#### STANDBY (ST) MODE

In the ST mode, a device enters into the standby mode when Pin 1 pulled Low. All internal circuits of the device are turned off. The current is reduced to a standby current, typically in the range of a few  $\mu\text{A}$ . When ST is pulled High, the device goes through the "resume" process, which can take up to 5 ms.

#### NO CONNECT (NC) MODE

In the NC mode, the device always operates in its normal mode and output the specified frequency regardless of the logic level on pin 1. Table 6 below summarizes the key relevant parameters in the operation of the device in OE, ST, or NC mode.

TABLE 6. OE vs. ST vs. NC

|   | OE     | ST                | NC   |
|---|--------|-------------------|------|
| Active current 125 MHz (max, 1.8V)            | 4 mA   | 4 mA              | 4 mA |
| OE disable current (max. 1.8V)                | 3.8 mA | N/A               | N/A  |
| Standby current (typical 1.8V)                | N/A    | 0.6 $\mu\text{A}$ | N/A  |
| OE enable time at 125 MHz (max)               | 130 ns | N/A               | N/A  |
| Resume time from standby (max, all frequency) | N/A    | 5 ms              | N/A  |
| Output driver in OE disable/standby mode      | High Z | Weak pull-down    | N/A  |

#### OUTPUT ON STARTUP AND RESUME

The WTLPOP comes with gated output. Its clock output is accurate to the rated frequency stability within the first pulse from initial device startup or resume from the standby mode.

In addition, the WTLPOP has NO RUNT, NO GLITCH output during startup or resume as shown in the waveform captures in Figure 8 and Figure 9.

FIGURE 8. STARTUP WAVEFORM vs. VDD

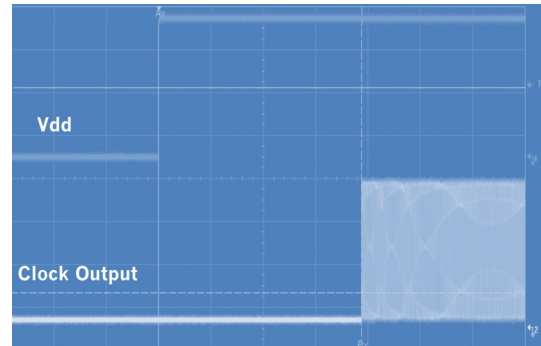
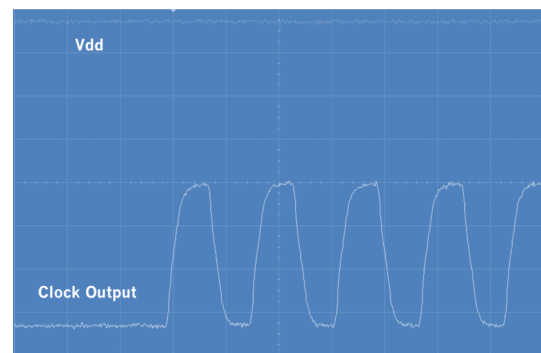


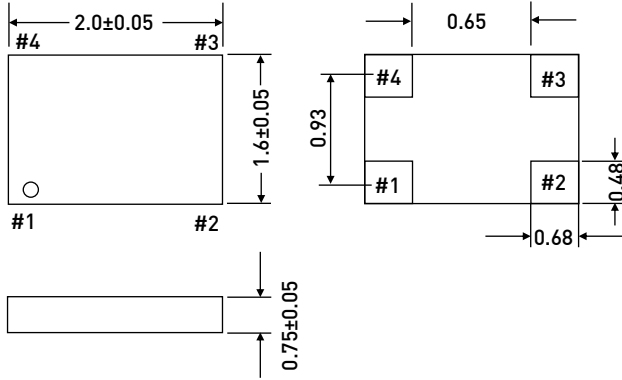
FIGURE 9. STARTUP WAVEFORM vs. VDD (ZOOMED-IN VIEW OF FIGURE 8)



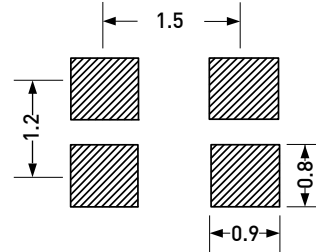
## DIMENSIONS AND PATTERNS

### PACKAGE SIZE - DIMENSIONS (UNIT:MM)

2.0 X 1.6 X 0.75 MM

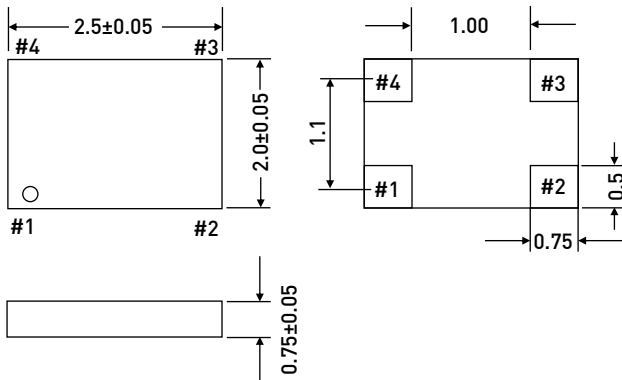


### RECOMMENDED LAND PATTERN (UNIT:MM)<sup>[7]</sup>

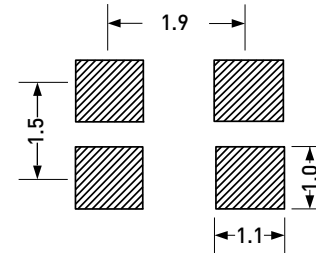


### PACKAGE SIZE - DIMENSIONS (UNIT:MM)

2.5 X 2.0 X 0.75 MM

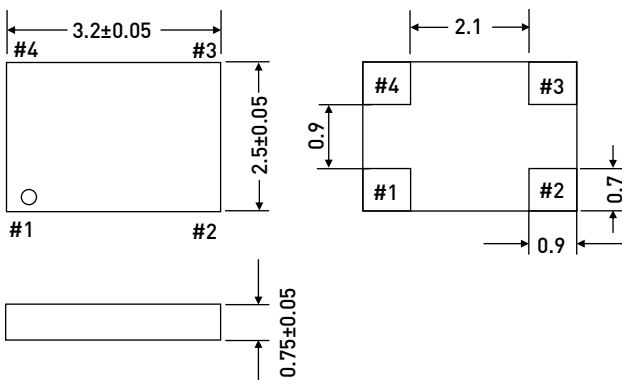


### RECOMMENDED LAND PATTERN (UNIT:MM)

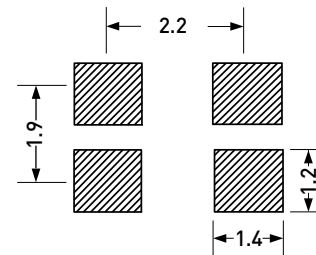


### PACKAGE SIZE - DIMENSIONS (UNIT:MM)

3.2 X 2.5 X 0.75 MM



### RECOMMENDED LAND PATTERN (UNIT:MM)

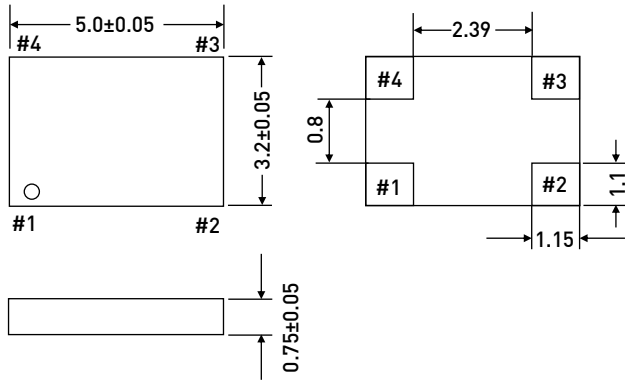


Note: 7. A capacitor value of 0.1 µF between VDD and GND is recommended.

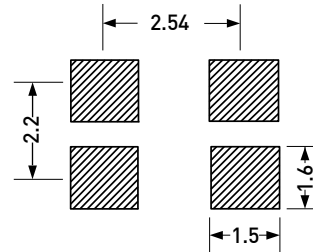
## DIMENSIONS AND PATTERNS

### PACKAGE SIZE - DIMENSIONS (UNIT:MM)

5.0 X 3.2 X 0.75 MM

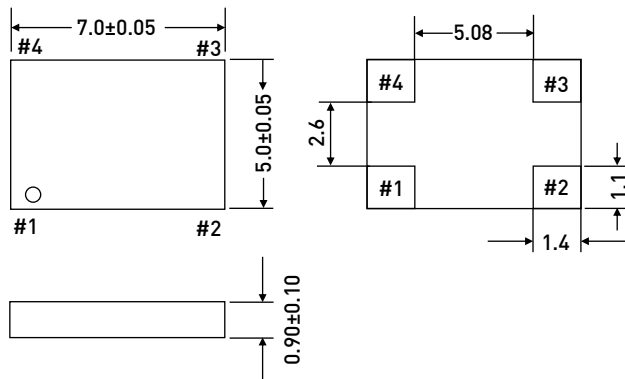


### RECOMMENDED LAND PATTERN (UNIT:MM) [8]

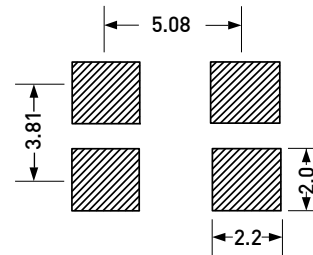


### PACKAGE SIZE - DIMENSIONS (UNIT:MM)

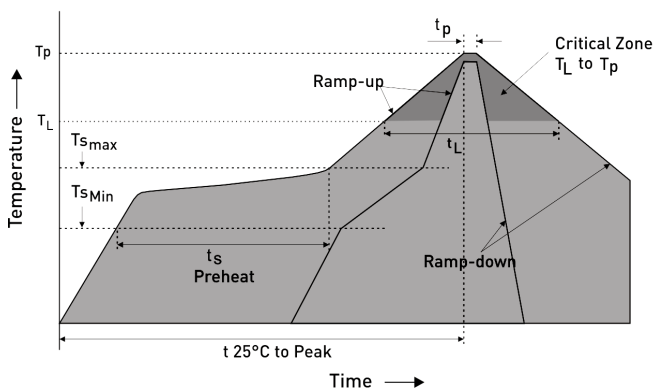
7.0 X 5.0 X 0.90 MM



### RECOMMENDED LAND PATTERN (UNIT:MM)



### REFLOW SOLDER PROFILE

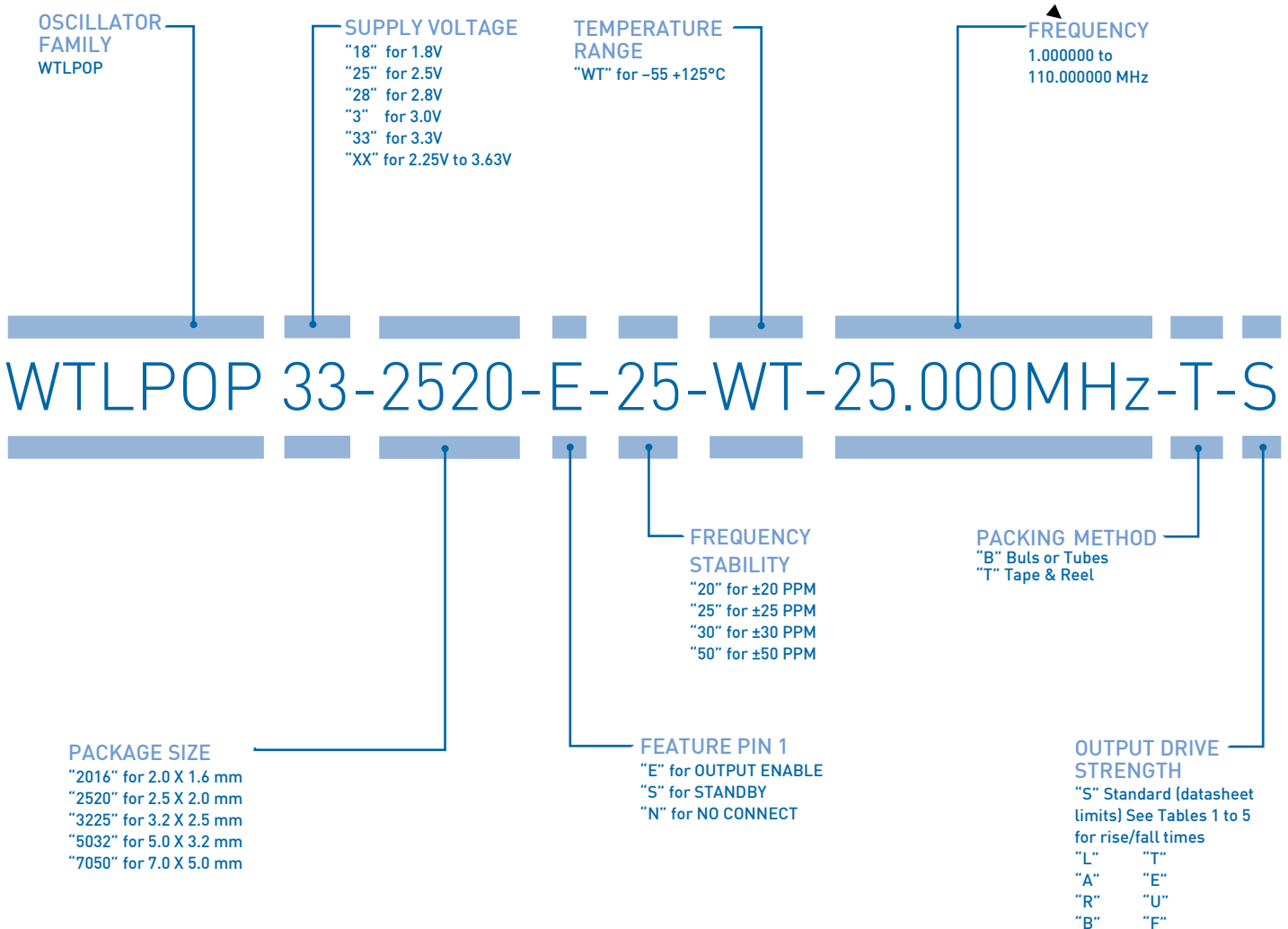


| IPC/JEDEC Standard                  | IPC/JEDEC J-STD-020 |
|-------------------------------------|---------------------|
| Moisture Sensitivity Level          | Level 1             |
| TS MAX to TL (Ramp-up Rate)         | 3°C/second Maximum  |
| Preheat                             |                     |
| - Temperature Minimum (TS MIN)      | 150°C               |
| - Temperature Typical (TS TYP)      | 175°C               |
| - Temperature Typical (TS MAX)      | 200°C               |
| - Time (tS)                         | 60 - 180 Seconds    |
| Ramp-up Rate (TL to TP)             | 3°C/second Maximum  |
| Time Maintained Above:              |                     |
| - Temperature (TL)                  | 217°C               |
| - Time (TL)                         | 60 - 150 Seconds    |
| Peak Temperature (TP)               | 260°C Maximum       |
| Target Peak Temperature (TP Target) | 255°C               |
| Time within 5°C of actual peak (tP) | 20 - 40 Seconds     |
| Max. Number of Reflow Cycles        | 3                   |
| Ramp-down Rate                      | 6°C/second Maximum  |
| Time 25°C to Peak Temperature (t)   | 8 minutes Maximum   |

Note: 8. A capacitor value of 0.1  $\mu$ F between VDD and GND is recommended.



## ORDERING INFORMATION



EXAMPLE: WTLPOP 33-2520-E-25-WT-25.000MHz-T-S

[PLEASE CLICK HERE TO CREATE YOUR OWN ORDERING CODE](#)

**EXPRESS SAMPLES ARE DELIVERABLE ON THE SAME DAY  
 IF ORDERED UNTIL 02:00 PM!**



## PREMIUM QUALITY BY PETERMANN-TECHNIK



OUR COMPANY IS CERTIFIED ACCORDING TO ISO 9001:2015 IN OCTOBER 2016 BY THE DMSZ CERTIFIKATION GMBH.

THIS IS FOR YOU TO ENSURE THAT THE PRINCIPLES OF QUALITY MANAGEMENT ARE FULLY IMPLEMENTED IN OUR QUALITY MANAGEMENT SYSTEM AND QUALITY CONTROL METHODS ALSO DOMINATE OUR QUALITY STANDARDS.