

SMD QUARTZ CRYSTAL

SERIES HC-49/U-CLIP

FEATURES

- + High reliability for low cost / Cheapest available SMD-Crystal
- + Extended temperature range to -40/+125°C available
- + Excellent clock signal generator for CPU´s
- + Designed for the use in wireless, communication, automotive, etc.



PB FREE / ROHS COMPLIANT

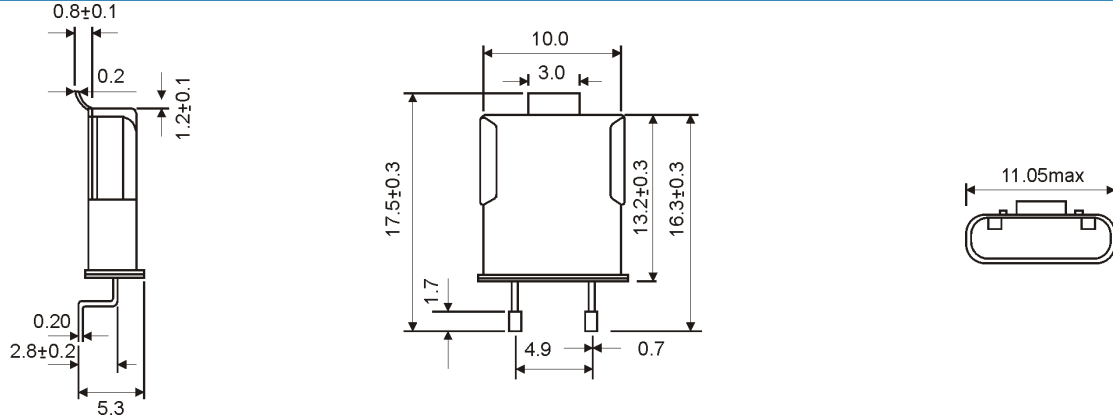
GENERAL DATA

PARAMETERS	PRODUCT FEATURES AND CONDITIONS
SMD-CRYSTAL SERIES	HC-49/U
NUMBER OF LEADS	2 bent leads and metal jacket
FREQUENCY RANGE	1.8432 ~ 40.0 MHz AT-Fundamental 20.0 ~ 40.0 MHz BT-Fundamental 23.0 ~ 100.0 MHz 3rd Overtone 60.0 ~ 150.0 MHz 5th Overtone 120.0 ~ 200.0 MHz 7th Overtone
FREQUENCY TOLERANCES AT 25°C	±10 ppm ~ ±50 ppm
LOAD CAPACITANCE (C _L)	6 pF ~ 50 pF or Series
WORKING TEMPERATURE RANGES	0/+50°C ~ -40/+125°C
SHUNT CAPACITANCE (C ₀)	7 pF max.
DRIVE LEVEL	100 µW typical (0.01 mW ~ 1 mW possible on request)
AGING	±3 ~ ±5 ppm per year standard (±2 ppm available as option)
INSULATION RESISTANCE	>500 MΩ DC/100V ±10%
STORAGE TEMPERATURE	-55°/+125°C
DELIVERY FORM	Tape and Reel (1.000 pcs per reel)
SELECT YOUR REQUIRED CRYSTAL (PRODUCT CONFIGURATOR)	REQUEST CRYSTAL SAMPLES (SAMPLE CONFIGURATOR)

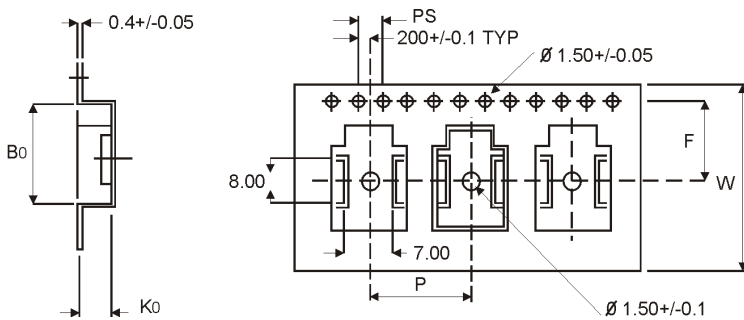
FREQUENCY STABILITY VS. TEMPERATURE

	±5ppm	±10ppm	±15ppm	±20ppm	±30ppm	±50ppm	±100ppm
0°/+50°C	+	+	+	+	+	+	+
-10°/+60°C	+	+	+	+	+	+	+
0°/+70°C		+	+	+	+	+	+
-20°/+70°C		+	+	+	+	+	+
-40°/+85°C			+	+	+	+	+
-40°/+125°C						+	+

DIMENSIONS



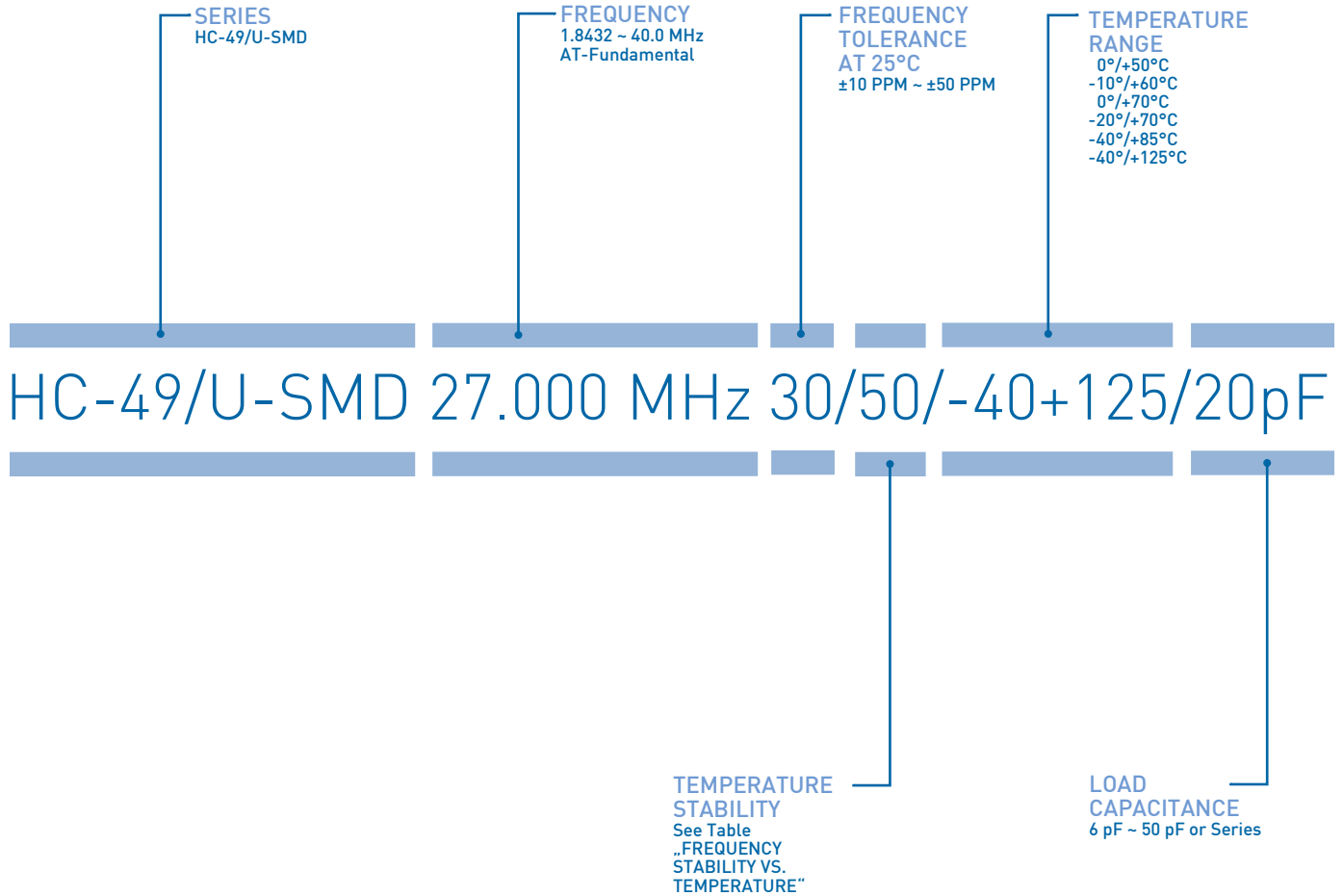
REEL SPECIFICATION



SYMBOL	W	P	B ₀	K ₀	PS	W
PARAMETER	24.00	16.00	19.00	6.00	4.00	11.50
TOLERANCE	± 0.3	± 0.1	± 0.1	± 0.3	± 0.1	± 0.1

Unit:mm

ORDERING INFORMATION



EXAMPLE: HC-49/U-SMD 27.000 MHz 30/50/-40+125/20pF
 PLEASE INDICATE YOUR REQUIRED PARAMETERS



PREMIUM QUALITY BY PETERMANN-TECHNIK



OUR COMPANY IS CERTIFIED ACCORDING TO ISO 9001:2008 IN OCTOBER 2013 BY THE DMSZ CERTIFIKATION GMBH.

THIS IS FOR YOU TO ENSURE THAT THE PRINCIPLES OF QUALITY MANAGEMENT ARE FULLY IMPLEMENTED IN OUR QUALITY MANAGEMENT SYSTEM AND QUALITY CONTROL METHODS ALSO DOMINATE OUR QUALITY STANDARDS.